



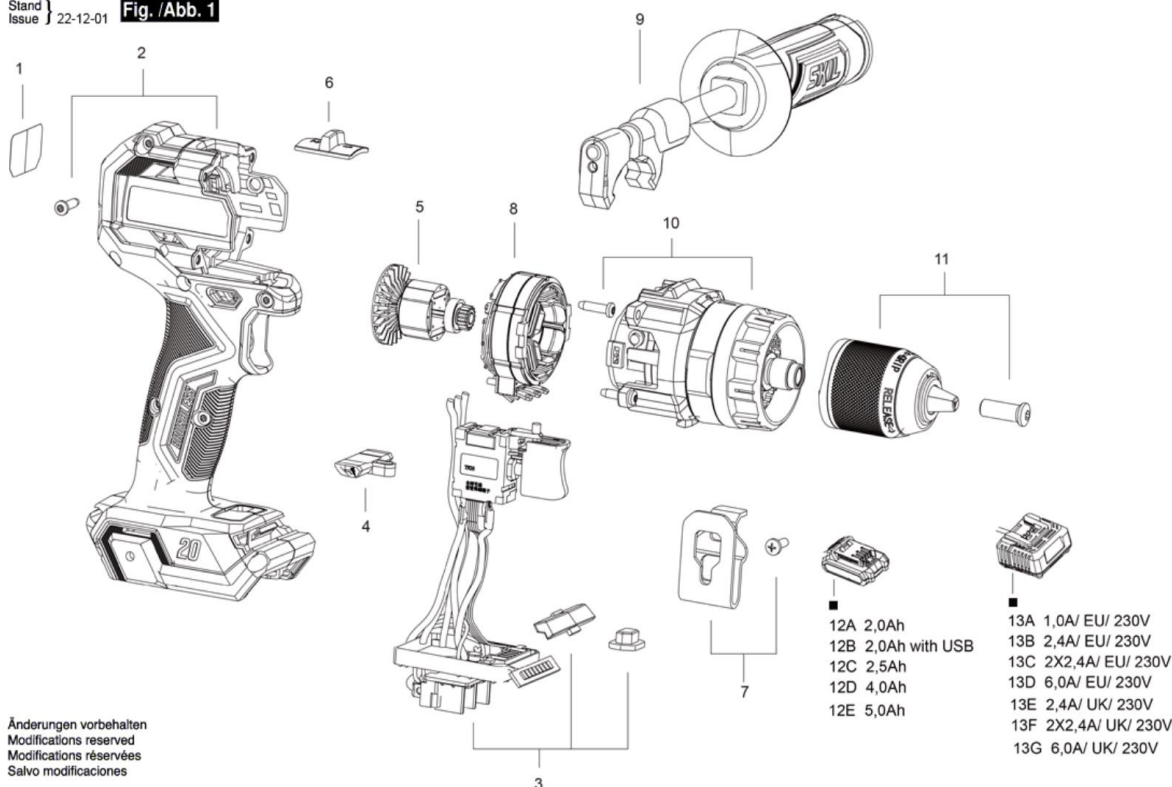
## Spare parts drawing - list

Modelnumber: CD1E308501

EU / 20V - "BRUSHLESS MOTOR" cordless impact drill/driver

SKIL  
CD1E 3085 01

Stand Issue } 22-12-01 **Fig. /Abb. 1**



Änderungen vorbehalten  
Modifications reserved  
Modificacions reservadas  
Salvo modificaciones

Pos.	Spare part number	Description	QTY
1	2245916001	Label	1
2	2829936001	Housing Parts Set	1
3	2829935001	Switch Parts Set	1
4	3133088001	F/R Button	1
5	2828829001	Armature 20V	1
6	3129851001	Button	1
7	2829934001	Belt holder clip & Screw	1
8	2740639003	Field 20V	1
9	2829613001	Auxiliary Handle	1
10	2829939001	Drive Unit Parts Set	1
11	2829938001	13MM Keyless Chuck & Screw	1
12A	BR1E310701	Battery 20V MAX 2,0Ah (Keepcool) Li-ion	1
12B	BR1E313001	Battery 20V MAX 2,0Ah (Keepcool) Li-ion with USB	1
12C	BR1E310201	Battery 20V MAX 2,5Ah (Keepcool) Li-ion	1
12D	BR1E310401	Battery 20V MAX 4,0Ah (Keepcool) Li-ion	1
12E	BR1E310501	Battery 20V MAX 5,0Ah (Keepcool) Li-ion	1

13A	CR1E312901	Charger EU 230V/20V 1,0A	1
13B	CR1E312201	Charger EU 230V/20V 2,4A	1
13C	CR1E312801	Dual charger EU 230V/20V 2x2,4A	1
13D	CR1E312301	Charger EU 230V/20V 6,0A	1
13E	CR1U312203	Charger UK 230V/20V 2,4A	1
13F	CR1U312803	Dual charger UK 230V/20V 2x2,4A	1
13G	CR1U312303	Charger UK 230V/20V 6,0A	1