



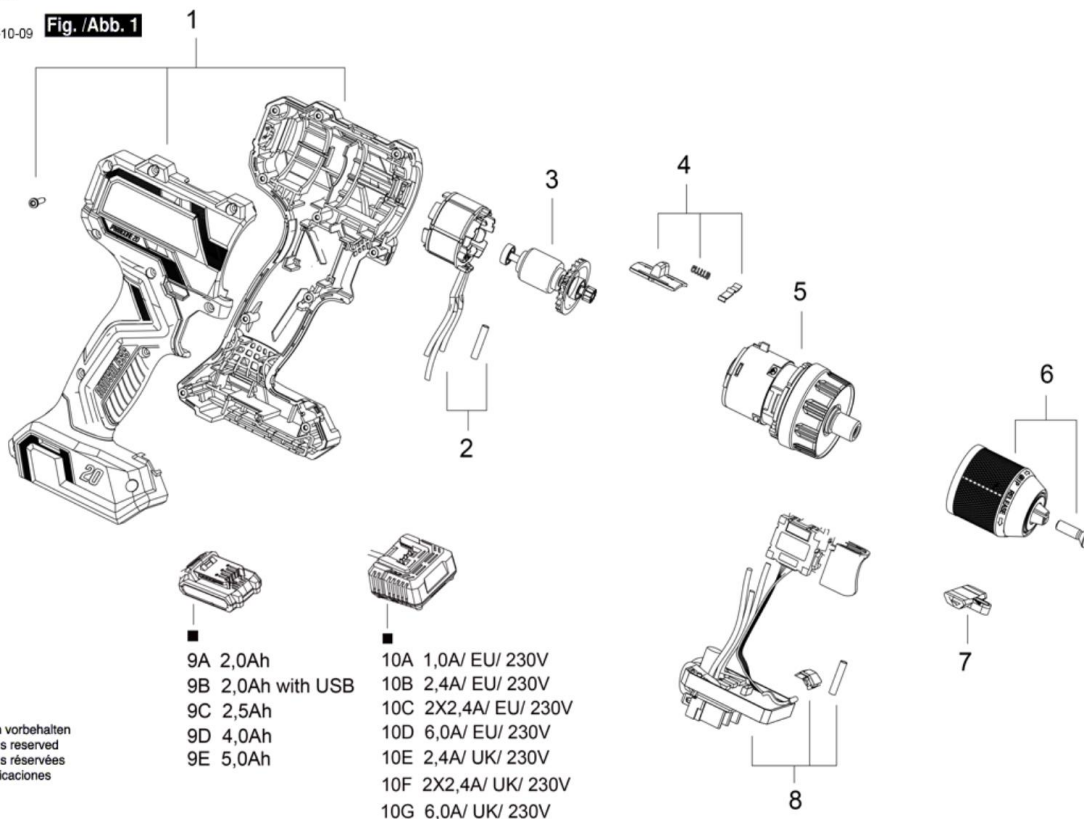
Spare parts drawing - list

Modelnumber: DD1E301101

EU / 20V - "BRUSHLESS MOTOR" cordless drill/driver

SKIL
DD1E 3011 01

Stand }
Issue } 23-10-09 Fig./Abb. 1



Änderungen vorbehalten
Modifications reserved
Modificaciones reservadas
Salvo modificaciones

Pos.	Spare part number	Description	QTY
1	2850942001	Housing Parts Set	1
2	2850952001	Field 20V	1
3	2751609001	Armature 20V	1
4	2850941001	Button Parts Set	1
5	2850940001	Drive Unit Parts Set	1
6	2850943001	13MM Keyless Chuck & Screw	1
7	3133088001	F/R Button	1
8	2850965001	Switch Parts Set	1
9A	BR1E310701	Battery 20V MAX 2,0Ah (Keepcool) Li-ion	1
9B	BR1E313001	Battery 20V MAX 2,0Ah (Keepcool) Li-ion with USB	1
9C	BR1E310201	Battery 20V MAX 2,5Ah (Keepcool) Li-ion	1
9D	BR1E310401	Battery 20V MAX 4,0Ah (Keepcool) Li-ion	1
9E	BR1E310501	Battery 20V MAX 5,0Ah (Keepcool) Li-ion	1
10A	CR1E312901	Charger EU 230V/20V 1,0A	1
10B	CR1E312201	Charger EU 230V/20V 2,4A	1
10C	CR1E312801	Dual charger EU 230V/20V 2x2,4A	1

10D	CR1E312301	Charger EU 230V/20V 6,0A	1
10E	CR1U312203	Charger UK 230V/20V 2,4A	1
10F	CR1U312803	Dual charger UK 230V/20V 2x2,4A	1
10G	CR1U312303	Charger UK 230V/20V 6,0A	1